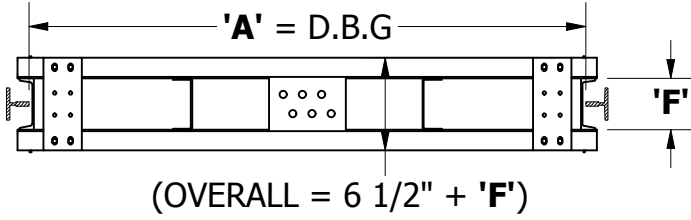
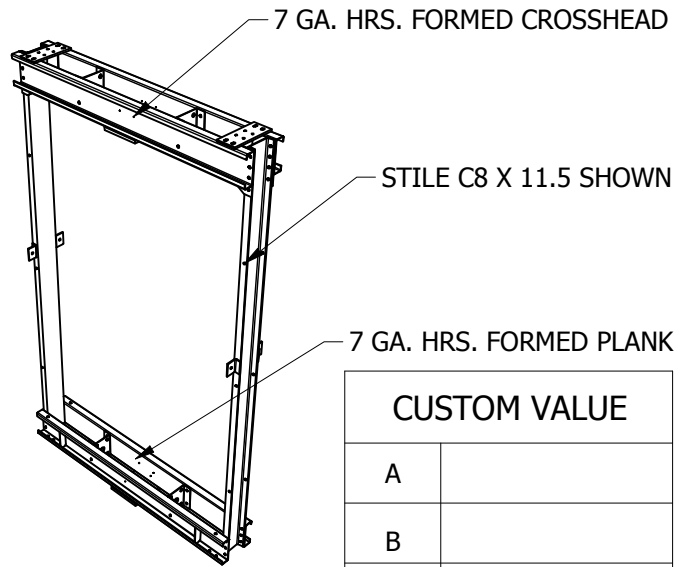
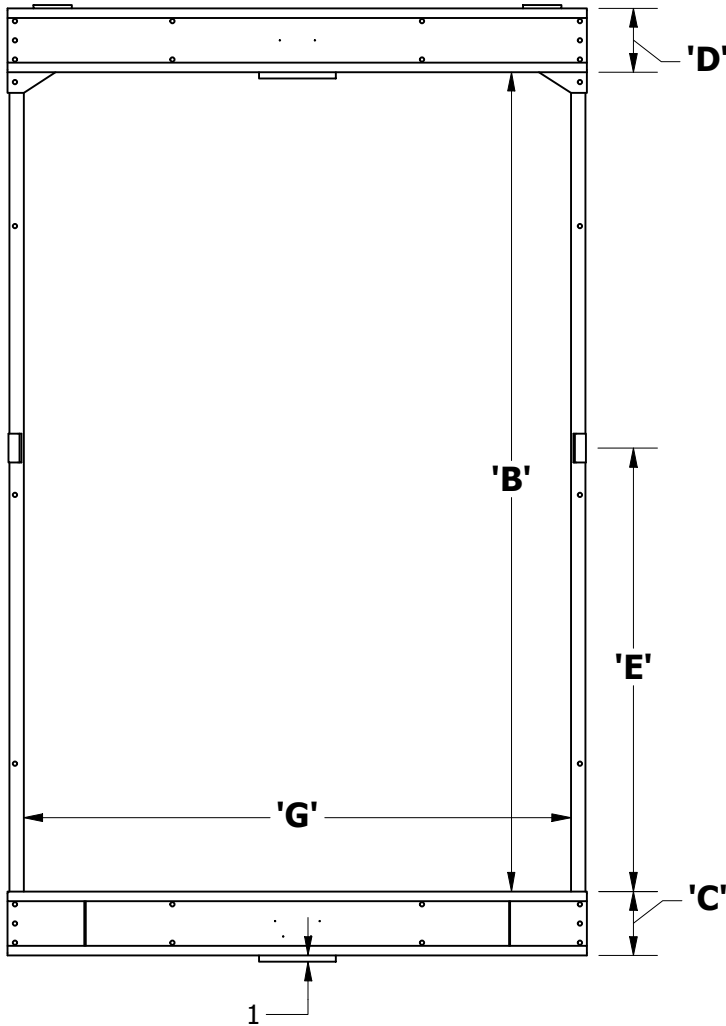


SLING SURVEY FORM



EQUIPMENT / SPECIFICATIONS	
ROLLER GUIDES	
SAFETY	
BUFFER QTY/TYPE	
ROPE QTY/SIZE	
STILE CHANNEL	



CUSTOM VALUE	
A	
B	
C	
D	
E	
F	
G	

ORDER INFORMATION	
COMPANY NAME	
P.O.#	
JOB NAME	

FORMED SLING 1:1 ROPING

THIS DRAWING IS THE PROPERTY OF AVT-BECKETT ELEVATOR LTD., AND IS LOANED UNDER THE EXPRESS CONDITIONS THAT IT MUST NOT BE COPIED OR USED WITHOUT PERMISSION AND IS TO BE RETURNED ON DEMAND.

