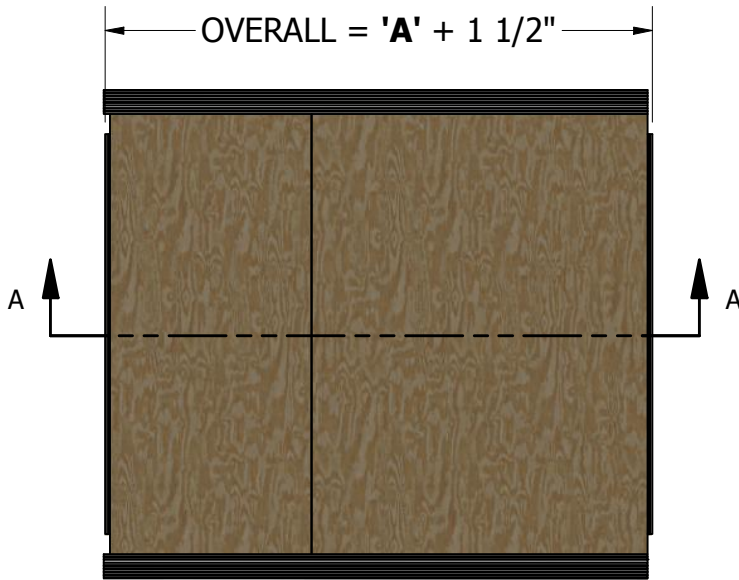
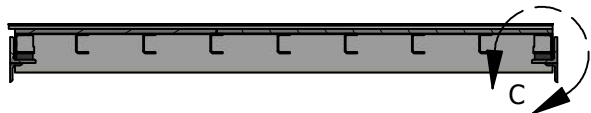


PLATFORM SURVEY FORM

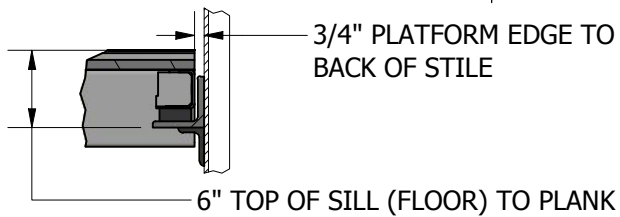
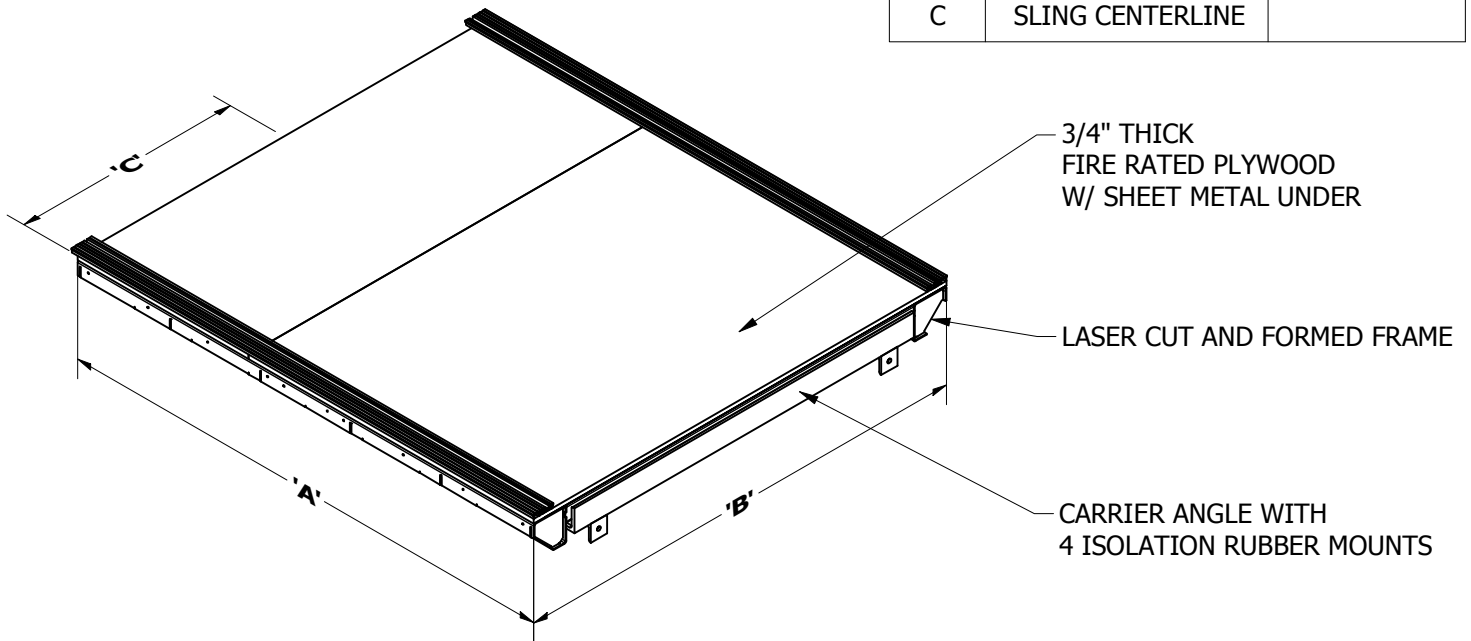


EQUIPMENT / SPECIFICATIONS	
ENTRANCE OPNG.	
ENT. LOCATION	
FRONT OR THRU	
CAPACITY	
SILL TYPE	



SECTION A-A

CUSTOM VALUE		
A	PLATFORM WIDTH	
B	PLATFORM DEPTH	
C	SLING CENTERLINE	



DETAIL C

ORDER INFORMATION	
COMPANY NAME	
P.O.#	
JOB NAME	

FORMED PLATFORM

THIS DRAWING IS THE PROPERTY OF AVT-BECKETT ELEVATOR LTD., AND IS LOANED UNDER THE EXPRESS CONDITIONS THAT IT MUST NOT BE COPIED OR USED WITHOUT PERMISSION AND IS TO BE RETURNED ON DEMAND.

