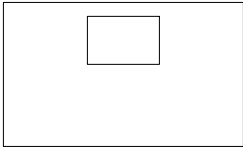


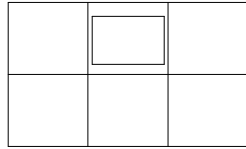
DROP CEILING SURVEY FORM

CLADDING STYLE GUIDE

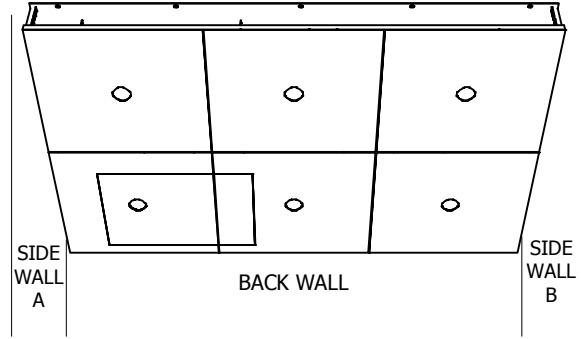
NOTE : ALL REVEALS 1/8" GAP PAINTED BLACK



STYLE 100



STYLE 600



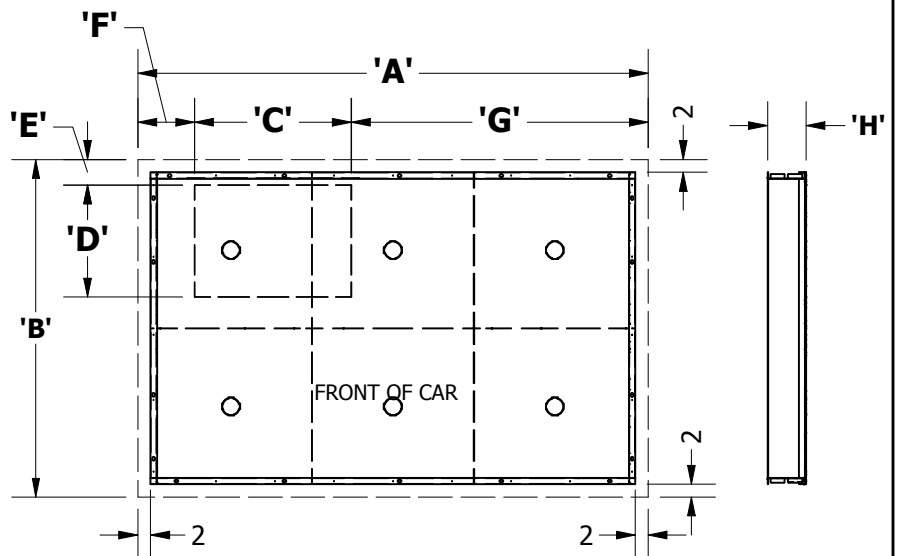
FINISHES

BRUSHED SS #4 CLADDING (STANDARD)

CUSTOM CLADDING

SPECIFY _____

QTY OF MR16U LED
3000K COLOR TEMP



VIEW FROM ABOVE

DIM.	DESCRIPTION	VALUE
A	OVERALL WIDTH	
B	OVERALL DEPTH	
C	HATCH WIDTH	
D	HATCH DEPTH	
E	HATCH TO BACK EDGE	
F	TO SIDE EDGE A	
G	TO SIDE EDGE B	
H	DROP (6" STANDARD)	

ADDITIONAL COMMENTS:

ORDER INFORMATION

COMPANY NAME	
DATE	
JOB NAME	

CUSTOM DROP CEILING

THIS DRAWING IS THE PROPERTY OF AVT-BECKETT ELEVATOR LTD., AND IS LOANED UNDER THE EXPRESS CONDITIONS THAT IT MUST NOT BE COPIED OR USED WITHOUT PERMISSION AND IS TO BE RETURNED ON DEMAND.

