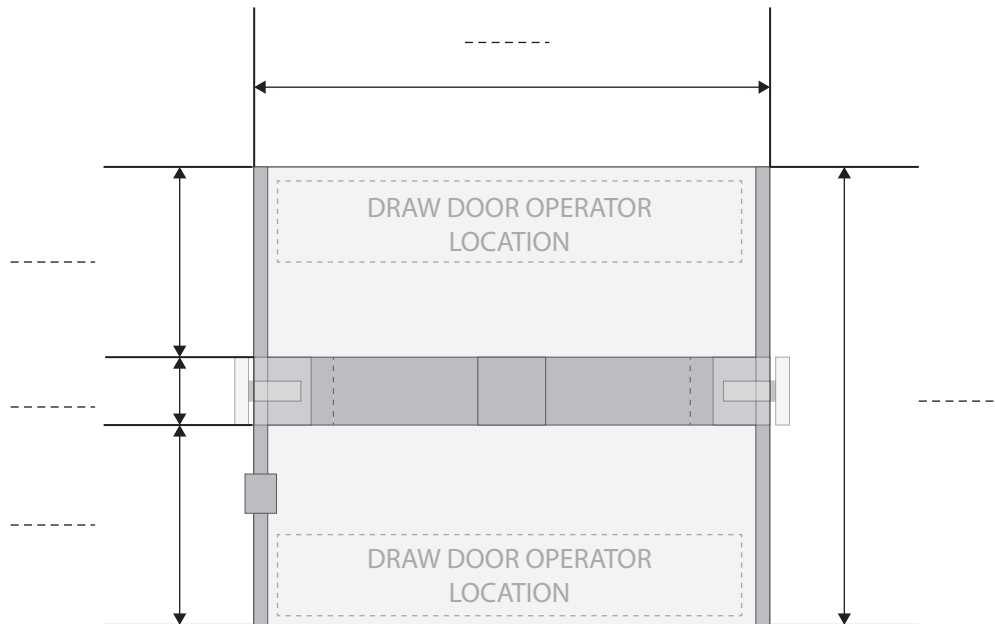
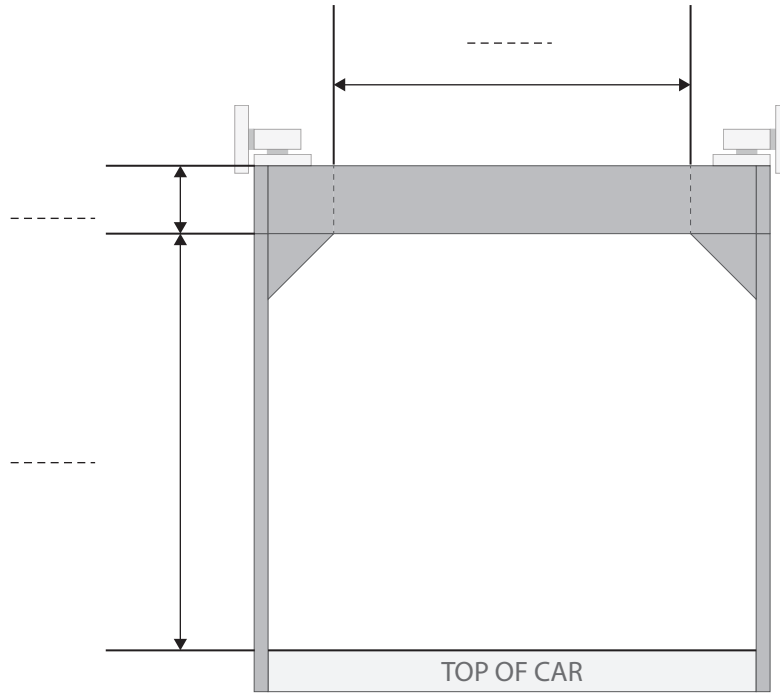




PLEASE FILL IN MEASUREMENT ON DOTTED LINE



JOB NAME: _____

INSTALLATION # _____

SINGLE DOOR CAR WEIGHT _____

THROUGH CAR CAPACITY _____